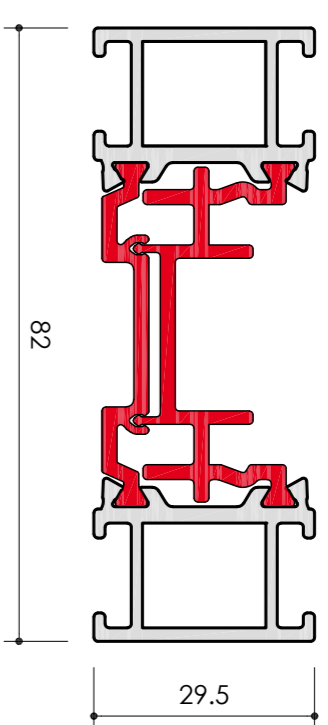
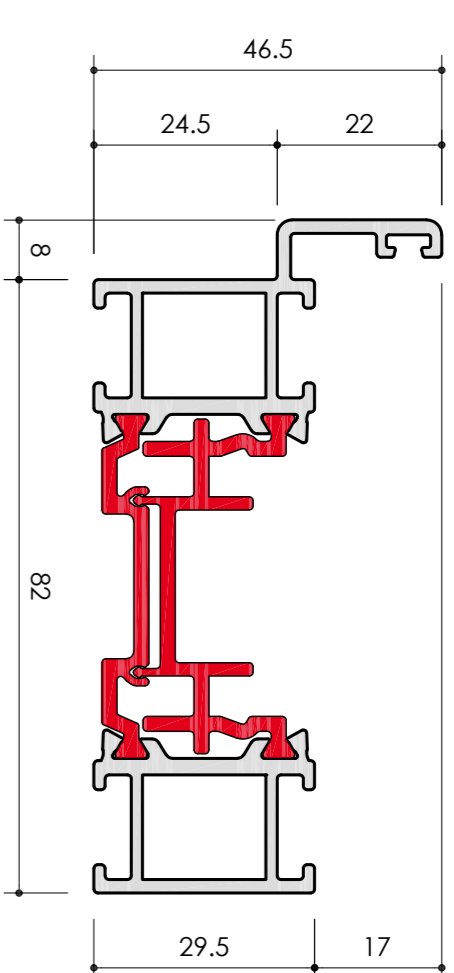


OUTER FRAME

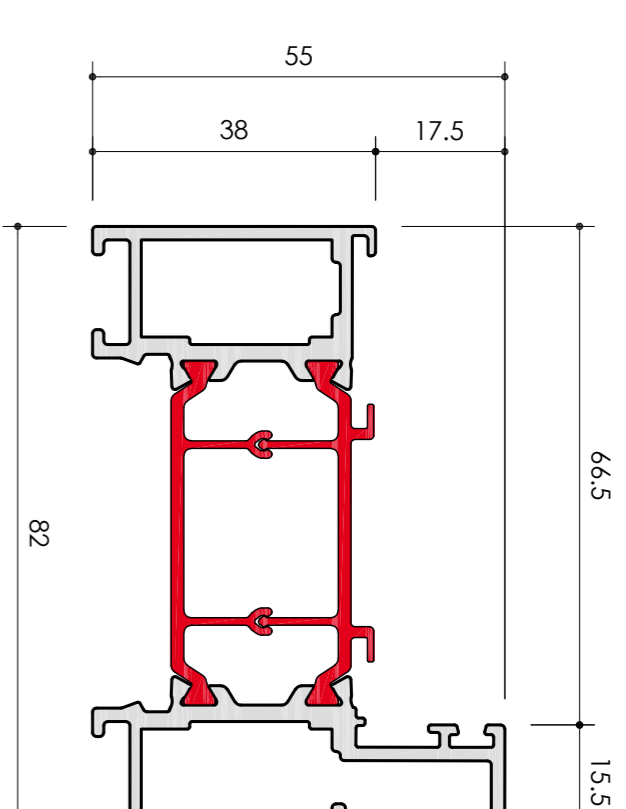


U61060



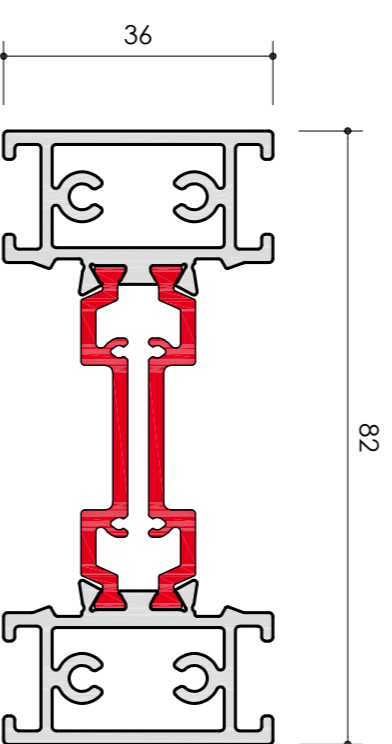
U61200

SASH



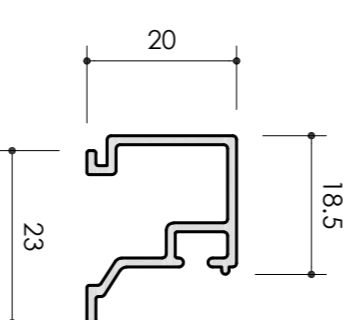
U61300

FLOATING MULLION

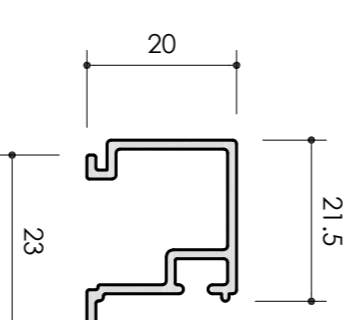


U61500

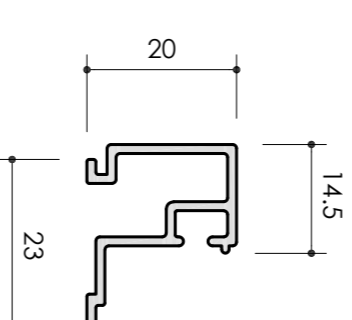
GLAZING BEAD



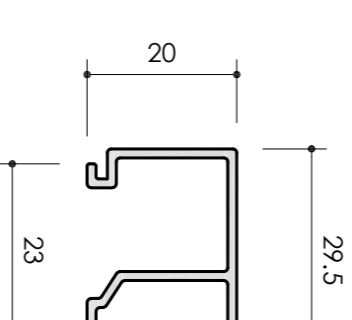
AW660



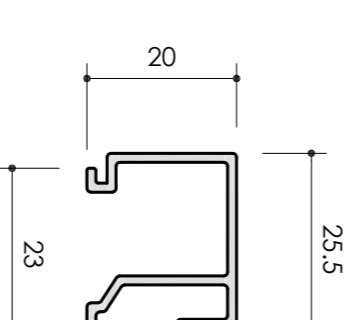
AW667



AW668

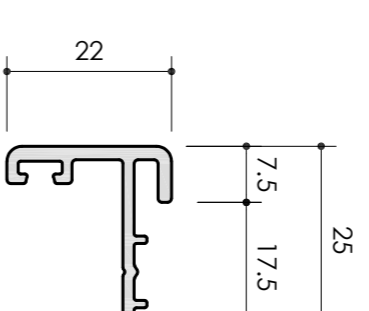


N43800



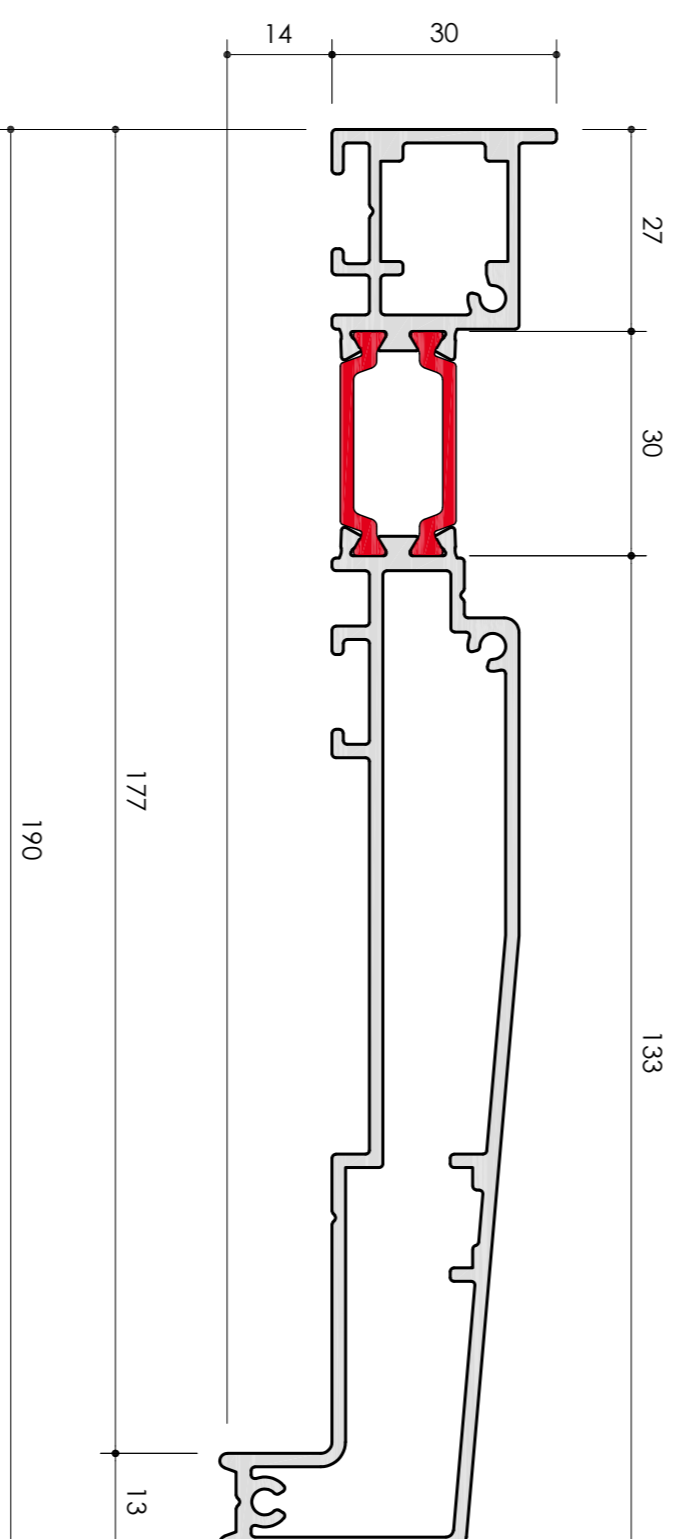
N43801

ADAPTOR

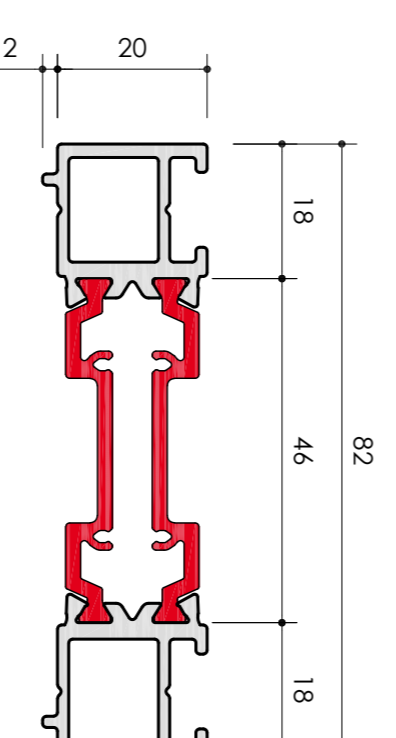


N61650

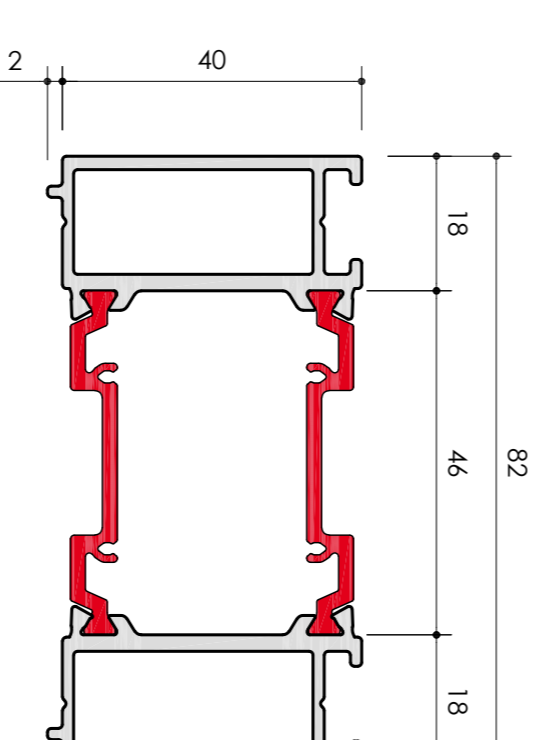
CILL / ADD ON



U61630



U61631



U61632



www.aluk.co.uk

F82

DATE : 01.10.2017 ISSUE : 1

SCALE : 1:1 @ A1 PAGE : 1 of 1