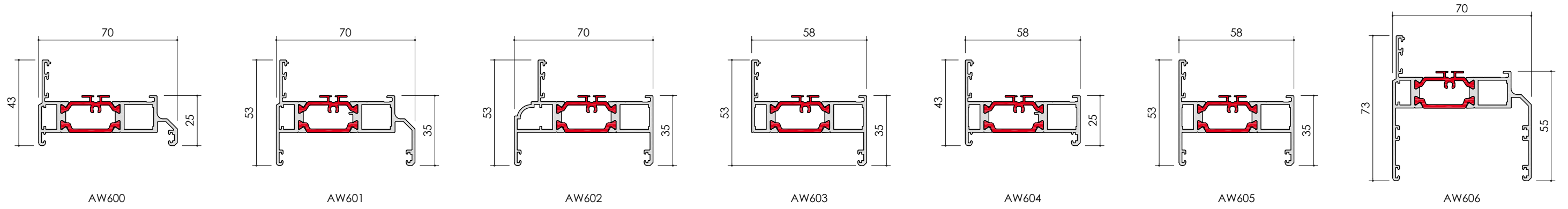
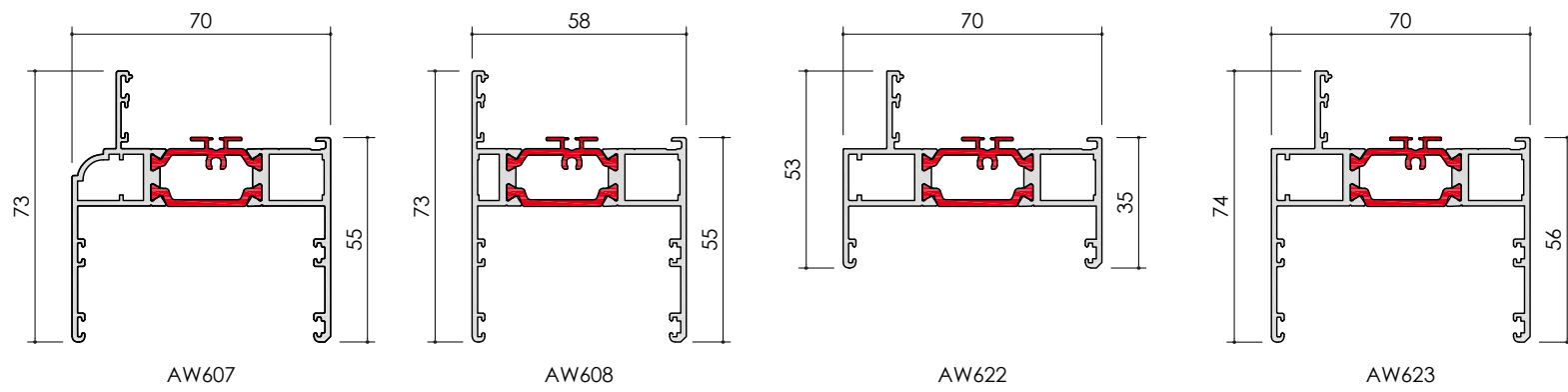


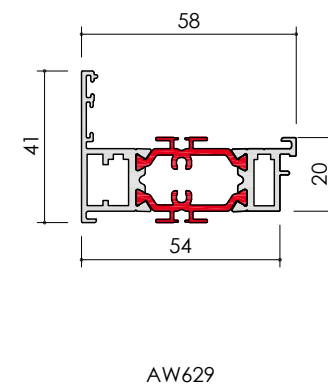
**OUTER FRAME**



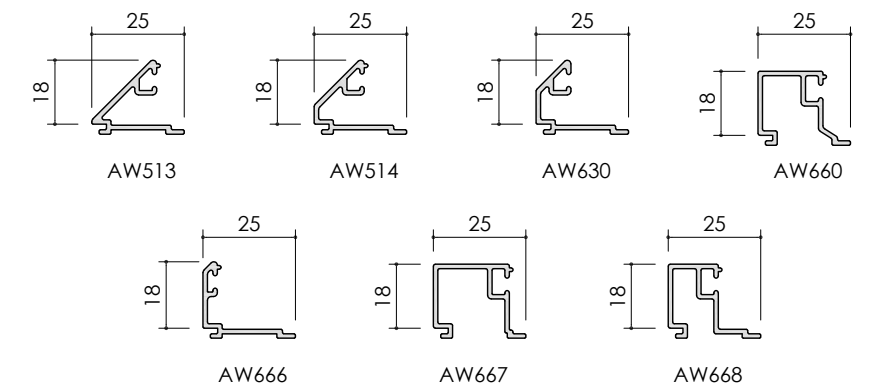
**OUTER FRAME**



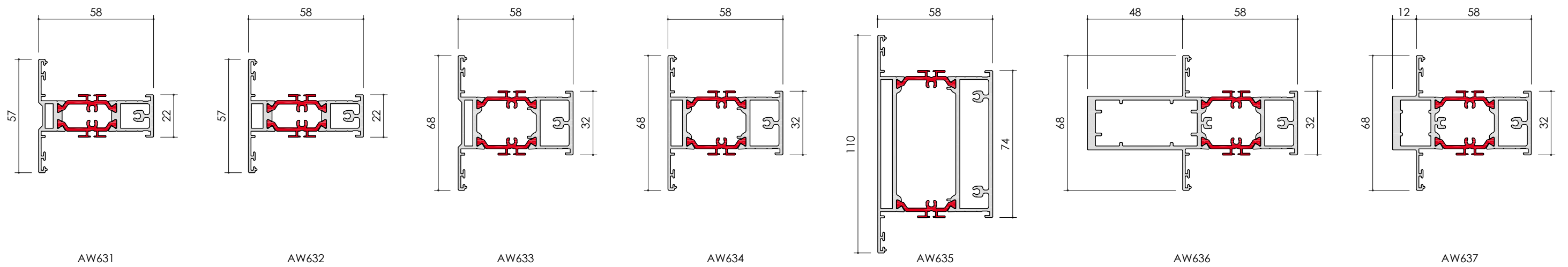
**FRAME REVERSER**



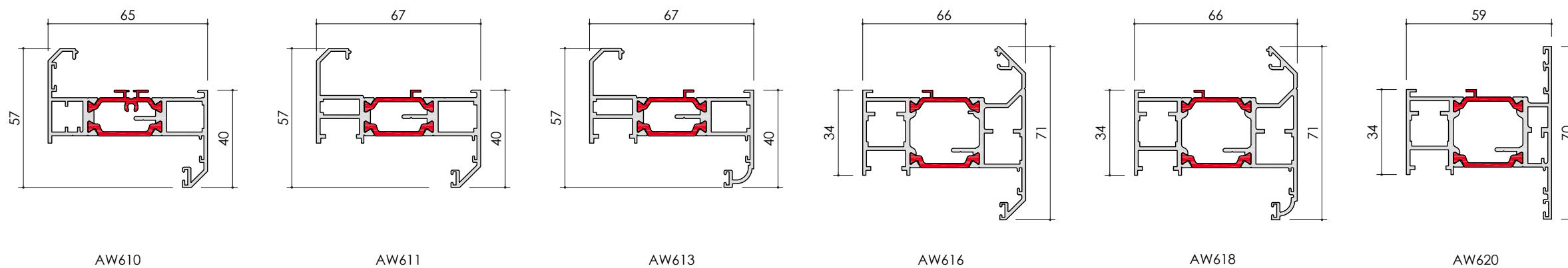
**GLAZING BEAD**



**MULLION/TRANSOM**



**VENT**



www.aluk.co.uk

**58BW**

DATE : 03.03.2017 ISSUE : 1

SCALE : 1:1 @ A1 PAGE : 1 of 1